



Excellence since 1928

# CJ 24

VEGETABLE PREPARATION MACHINE

## METCALFE CJ 24

The Metcalfe CJ 24 vegetable preparation machine is constructed from high grade stainless steel and assembled with easily removable parts to ensure ease of cleaning and very little routine maintenance.

**A 24 volt control panel ensures safety during operation, and gives the operator maximum security.**

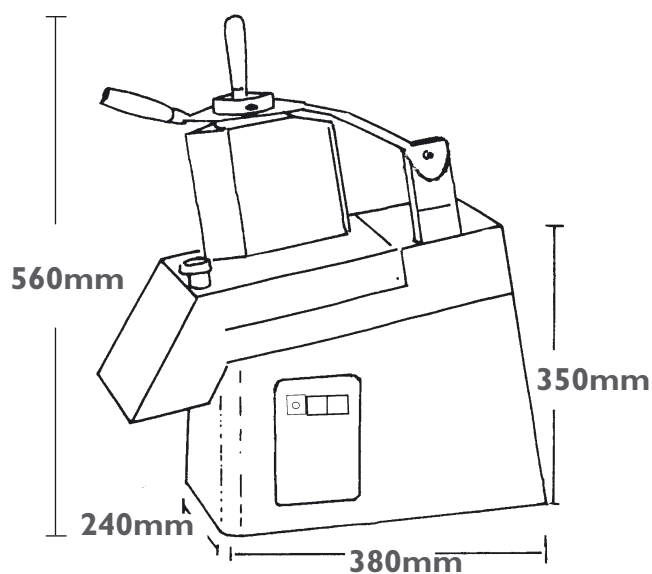
**The switch also incorporates a pulse button.**

Twenty nine plates are available for various operations such as dicing, slicing, shredding, grating and chipping. All moving parts are fully interlocked giving additional safety to the user. We offer a comprehensive warranty and a professional after sales service. The CJ 24 is designed and manufactured to comply with all relevant UK and International Safety Standards.

**Weight:** 23kgs



**METCALFE CJ 24**, Vegetable Preparation Machine with 6 plate Chefs Pack and Rack.



**METCALFE CJ 24**, DIMENSIONS

## AVAILABLE PLATES

GRATING DISCS  
Z2 - Z3 - Z4 - Z7 - V



STICK CUTTING DISCS  
H4 - H6 - H8 - H10  
B6 - B8 - B10



CUBE CUTTING DISCS  
D 8x8 - D 10x10  
D 12x12 - D 20x20



SLICING DISCS  
E1 - E2 - E3 - E4 - E5 -  
E6 - E8 - E10 - E14



Stockists:

**Metcalfe Catering Equipment Ltd**

Haygarth Park, Blaenau Ffestiniog, Gwynedd,  
LL41 3PF, Great Britain

t +44 (0)1766 830 456

f +44 (0)1766 831 170

e [enquiries@metcalfecatering.com](mailto:enquiries@metcalfecatering.com)

w [www.metcalfecatering.com](http://www.metcalfecatering.com)