



**Model**

NS300HD

**Product Description**

Slicer, 300mm, Heavy Duty

**Product Code**

5S301N



**Standard Features**

- Designed for handling larger volumes than medium duty range. Recommended for delis, restaurants, supermarkets and canteens
- Hollow ground chromed carbon steel blade
- Powerful twin 'V' belt driven transmission gives a smooth cutting action and silent running
- Easy belt adjustment
- Easy set thickness control allows for precision slicing
- Carriage slides on ball bearings for smooth carriage glide
- Made from high polished, anodised food grade aluminium for durability and hygiene
- Large base to ensure slicer has a large capacity to cope with large products
- Ergonomic design with smooth rounded edges to allow for fast and easy cleaning and improved levels of hygiene
- Fully interlocked and safe guarded for full compliance of CE legislation. This ensures all-round blade protection for ultimate user safety during cleaning
- Built-in, self-aligning sharpening and de-burring unit
- Table / carriage, blade cover, blade and sharpening unit are detachable for easy cleaning
- Transparent slicing guard to ensure ultimate user safety whilst slicing
- Optional voltages and frequencies available on request
- CE Approved

**Standard Accessories**

- 1 x Knife Remover
- 1 x Flat Head Screwdriver
- 1 x Tasteless Oil

**Warranty**

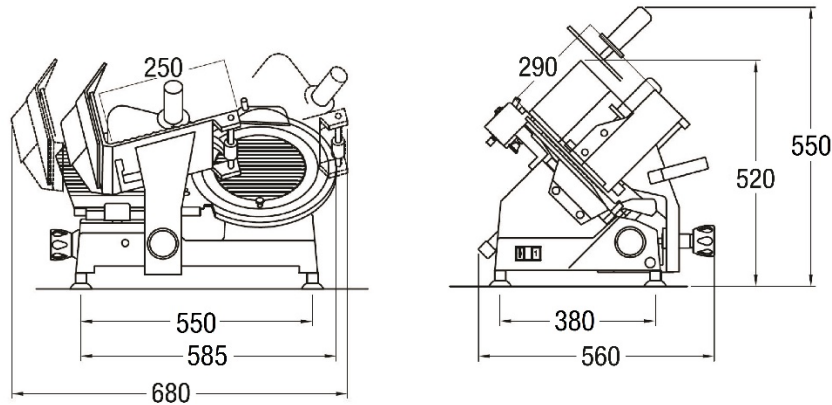
Covered by Metcalfe 2-year warranty (1<sup>st</sup> year parts and labour, 2<sup>nd</sup> year parts only) and full after sales service

**Optional Accessories**

Item
Tray Extension Device
Stainless Steel Knife Remover
Stainless Steel Guard
Aluminium Knobs
Product Hold Bar for Gravity Plate

Item
Plastic Cover – Small
Serrated Blade
Painting Customisation
Teflon Coated Parts (Blade Cover, Gauge Plate, Blade)

## Drawing



## Specifications

Model	Blade (mm)	Phase (Ø)	Motor (Volt)	Frequency (Hz)	Current (Amp)	Power (kW)
NS300HD	300	1	220	50	1.10	0.242

## Capacity

Model	Cutting Capacity (mm)		Carriage Movement (mm)	Max Slice Thickness (mm)
NS300HD	● 215	□ 215 x 270	290	14

## Dimensions | Shipping Information

Model	Overall Dimensions D x W x H (mm)	Net Weight (Kg)	Packed Dimensions D x W x H (mm)	Packed Weight (Kg)	Volume (m3)
NS300HD	560 x 680 x 550	29	600 x 710 x 520	34.5	0.222

We reserve the right to alter the specification and technical details for this item at any time without prior notice.

4/2023

**Metcalfe Catering Equipment Ltd**

Haygarth Park

Blaenau Ffestiniog

Gwynedd, LL41 3PF

