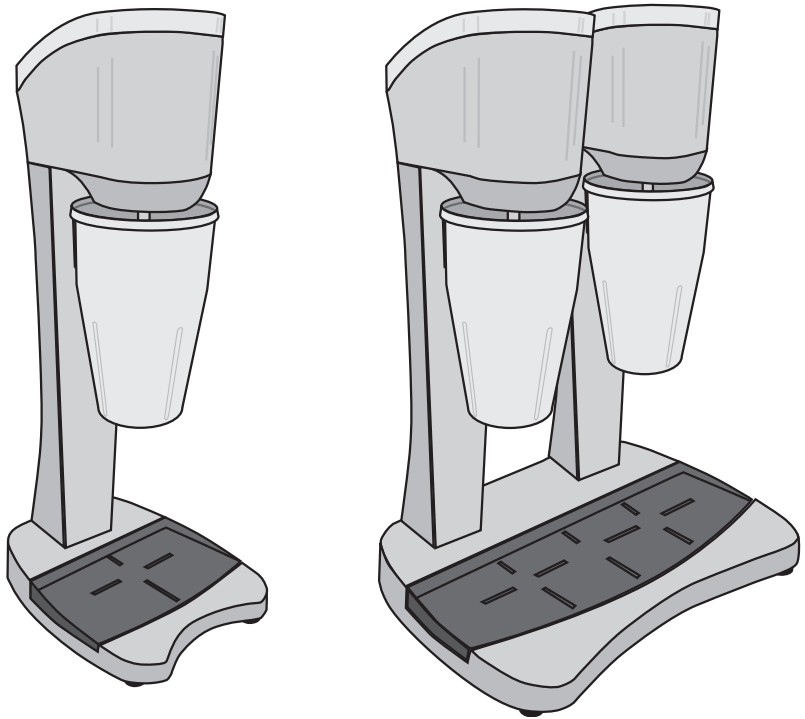


GB

SPINDLE MIXER

USE AND MAINTENANCE MANUAL



SPINDLE MIXER

This appliance is a commercial drink mixer, ideal for mixing frappes, milk shakes and cocktails. Like all appliances, it should be used with particular care to avoid injury to the personnel and damage to the appliance.

It is therefore essential to read these instructions carefully before using the appliance and to follow the safety recommendations.



Do not use the appliance if you are not sufficiently familiar with the instructions!

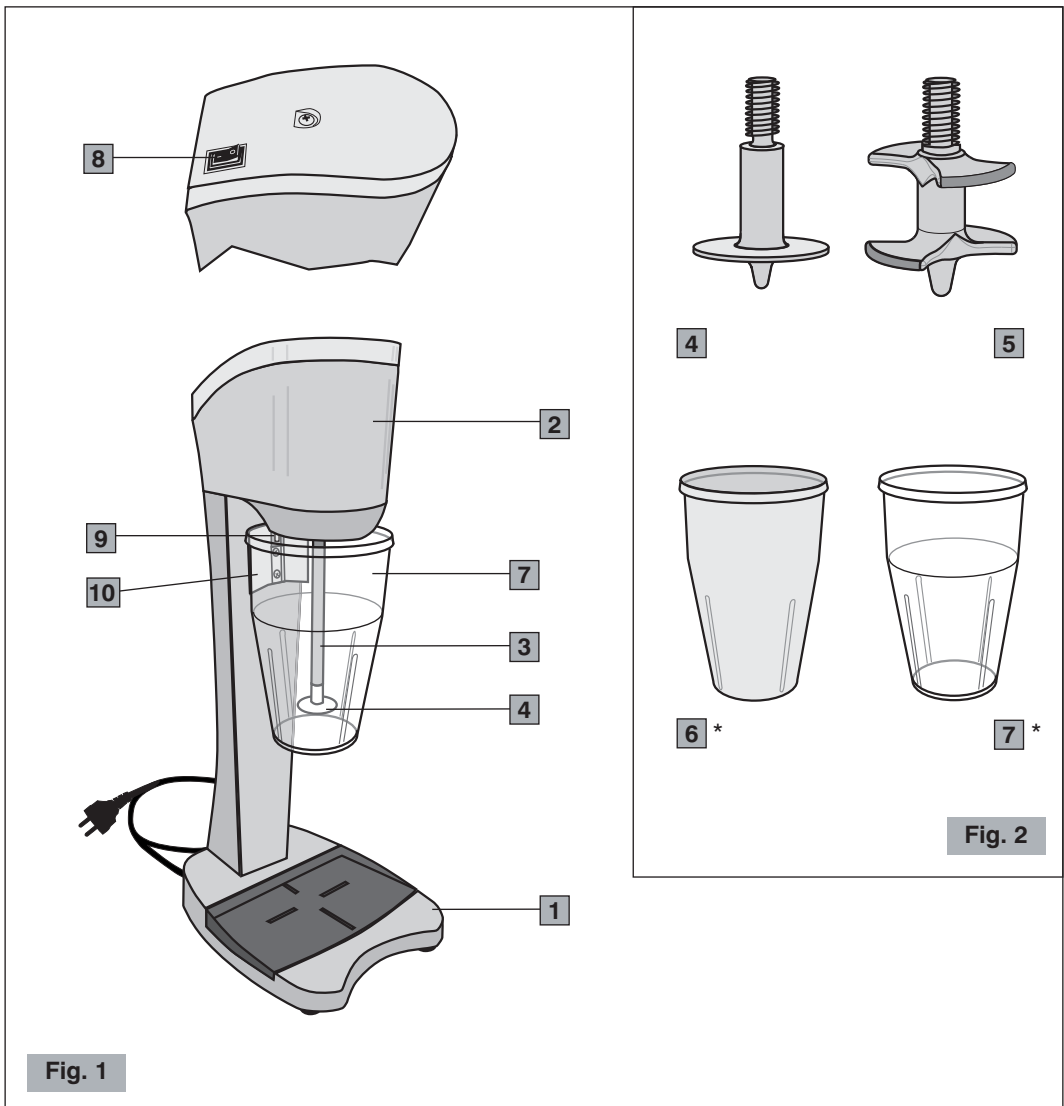
GB

SPINDLE MIXER

Main parts (Fig. 1 - Fig. 2)

- | | | | |
|----------|-----------------|-----------|-----------------------|
| 1 | Base | 6 | Stainless steel cup * |
| 2 | Motor housing | 7 | Polycarbonate cup * |
| 3 | Spindle | 8 | ON-OFF (I-O) switch |
| 4 | Single agitator | 9 | Safety microswitch |
| 5 | Double agitator | 10 | Cup holder |

* according to the version



SAFETY RECOMMENDATIONS

GENERAL INSTRUCTIONS

1. Read the following instructions carefully before using the appliance.
2. Installation and any maintenance should be carried out by specialized personnel.
3. This appliance is intended for professional use, and should therefore be used by adults and qualified personnel only. This appliance is **NOT** intended for industrial food processing in mass production.
4. This appliance is not intended for use by persons (including children) with reduced physical, sensory or mental abilities, or without experience and knowledge, unless they have been instructed in the use of the appliance and are under the supervision of a person who is responsible for their safety.

CHILDREN SHOULD BE SUPERVISED SO AS TO ENSURE THAT THEY DO NOT PLAY WITH THE APPLIANCE.

5. **Never** use this appliance for any operations other than mixing drinks. Any other use is dangerous.
6. Always work under safe conditions: do not use the appliance with wet hands or feet. **Do not use outdoors.**
7. Keep the original package for possible future use. It is the most suitable protection against impact during transportation.
8. In case of fire use CO₂ extinguishers. Do not use water or powder extinguishers.
9. **Never** place the appliance in water!
10. Do not disassemble the appliance or attempt to perform any repairs inside it.
11. Always unplug the appliance before performing any maintenance or cleaning and when it is not in use.
12. **Never** pull the appliance by the cord to move it. **Never** unplug it by pulling the cord or touching it with wet hands.



If the cord is damaged, it must be replaced by an Authorized Service Center.

-
13. **WARNING:** Never place any utensils, metal or other hard materials, in the container. This is dangerous and could cause damage.
 14. Always hang the cup to the cup holder with the switch OFF to prevent the motor from starting.
 15. **Do not** use the appliance if it is damaged or had any loosened parts such as blades, couplings, etc. In these cases, contact an Authorized Service Center immediately.

SAVE THESE INSTRUCTIONS!



The EC declaration of conformity for this appliance is available in the *Products* section of our website www.ceado.com.

INSTALLATION

Comply with the **safety recommendations** indicated above and hereafter when installing the appliance.

1. Make sure that the mains voltage is as indicated on the rating label of the appliance and that the electric system is grounded and equipped with a differential switch.
 2. Install the appliance in a **DRY, PROTECTED place**, far from water sprays or splashes, heat sources, open flames and inflammable substances.
Place the appliance on a **flat, horizontal, stable surface** where it cannot tip over.
 3. Make sure the switch on the appliance is in the "OFF" position and plug it into a socket protected by a magneto thermal switch or fuses.
Do not use a multiple outlet plug.
 4. Stretch the power cable out to full length. **Do not** let it pass over sharp edges or hot surfaces. **Do not** let oil spill on it. **Do not** let the power cable hang loose from the counter on which the appliance stands.
-

USE



Before first use: rinse all of the parts that will have contact with food in running water i.e.: the agitator and the cup (to disassemble the various parts see Fig. 4).

- 1 Make sure the switch is in the "OFF" position.
 - 2 Place the ingredients in the mixer cup compatibly with its capacity (bear in mind that a blend of 50% milk and 50% ice cream will expand in volume by an average of about 20% after blending).
 - 3 Hang the cup to the cup holder to trip the microswitch and start the motor (Fig. 3).
 - 4 Start the motor by turning the switch to "I".
 - 5 Run the appliance for the time necessary to prepare the product.
 - 6 Switch the motor off by turning the switch to "O".
Note: Always wait for the motor to come to a complete stop before removing the cup from the cup holder.
 - 7 Remove the cup from the cup holder and serve the drink.
 - 8 When not working, leave the cup hung to the cup holder with the switch in the "O" position.
 - 9 To change the agitator, hold the spindle still with one hand and use your other hand to unscrew the agitator (Fig. 4).
-

10 The single agitator is suitable for the preparation of beverages with liquid or very soft ingredients, such as fruit frappes prepared from mixes, iced coffee (even with ice), etc.

The double agitator is for thick mixtures and/or drinks made by mixing ice cream and liquids.

NOTE: In any case the ice cream should not be frozen hard or too cold, but soft.

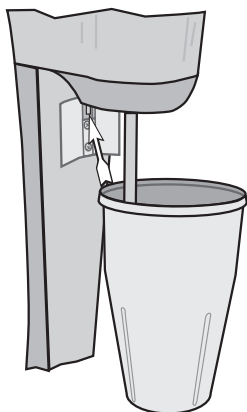


Fig. 3

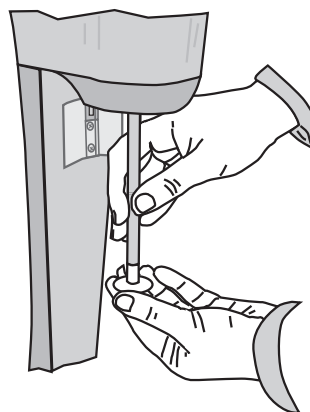


Fig. 4

CLEANING AND MAINTENANCE

It is important to keep the appliance clean and in good working order to ensure optimum quality of the products and long life of the appliance .

- **To clean the appliance**, unplug the appliance and clean with a damp cloth or alcohol, or use a generic spray detergent.
Dry with a dry cloth.
- **To clean the spindle**, run it a few seconds with the cup full of hot water and dishwashing detergent.
- **In the model with polycarbonate cup**, do not wash the cup in the dishwasher.



Never wash the appliance with jets of water or immerse the motor housing.



Never use clorox or chlorine based detergents.

TROUBLESHOOTING

(See Table on the next page)

In case of any malfunction, defect of the appliance or if you suspect any breakage after a fall, unplug the appliance immediately.

If you are unable to solve the problem referring to the table below, contact an Authorized Service center.

Only qualified experts should repair the appliance.

We are not liable for any damage caused by repairs not made correctly by unauthorized personnel. In these cases the warranty does not apply.

| Problem | Solution |
|---|--|
| The appliance does not start. | <ul style="list-style-type: none">• Make sure it is plugged in.• Make sure the safety circuit breaker is closed.• Make sure the cup is hung correctly to the cup holder.• Make sure the switch on the appliance is turned to ON. |
| The result of blending is unsatisfactory. | <ul style="list-style-type: none">• Make sure the agitator is intact and tightly fastened.• Make sure the motor rotates properly. <p>NOTE: Take account of the fact that many factors may affect the result such as the type and temperature of the ingredients used.</p> |
| The appliance vibrates in an unusual way. | <ul style="list-style-type: none">• Make sure the agitator is intact and in the correct position. If the agitator appears off center, unscrew it and screw it correctly into place. |

DISPOSAL

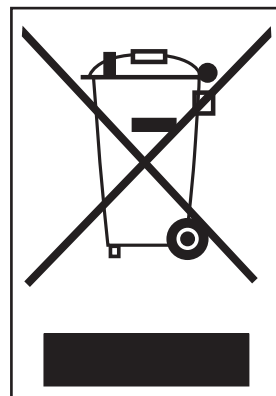
Correct disposal of this product (waste electrical and electronic equipment)

(Applicable in the European Union and other countries with separate collection systems in conformity with European Directive 2012/19/EU and subsequent updates)

This product has been made from high-quality parts and materials, which can be re-used and recycled.

Therefore, do not throw the product away with normal household waste at the end of its working life. Take it to a collection point for recycling electrical and electronic devices. This is indicated by this symbol on the product and in the operating manual.

Please contact your local government office for information about the exact location of the closer collection point.



WARRANTY

This product is guaranteed against faulty materials and workmanship.

The warranty period may vary according to local laws or commercial uses of the country where the product is marketed. Therefore, please contact the retailer from whom the product was purchased.

During the warranty period, this product can either be repaired or replaced, at the manufacturer's discretion, at no additional cost only if it has been used according to the instructions in this use and maintenance manual.

If the product needs maintenance or repairs during the warranty period, contact the retailer for shipping instructions. The product should be shipped in its original package or other suitable packing.

The warranty does not apply in case of neglect, misuse, abuse or unauthorized repairs. This warranty does not apply to parts subject to deterioration through normal use such as wear to the container, blades, joints, etc.

The warranty is limited to the costs of repair or replacement of the product or its defective parts, or an amount equivalent to the price paid for its purchase. No additional requests of damages will be available to the purchaser.

The above instructions must be followed, otherwise the warranty is invalidated and the manufacturer has no liability.

In any case these instructions cannot cover every possible condition and the user is recommended to make responsible use of the appliance.

THE MANUFACTURER RESERVES THE RIGHT TO MAKE ANY ALTERATIONS TO THE APPLIANCE WITHOUT NOTICE



Ceado S.r.l.

Tel.: (00-39) 041 50 30 767

Fax: (00-39) 041 50 38 413

E-mail: info@ceado.com

www.ceado.com