



**Model**

NS370XHD

**Product Description**

Slicer, 370mm / 15", Extra Heavy Duty, Gear Driven

**Product Code**

5S513N



- Ideal machine for high volume work required in large restaurants, supermarkets, delis, butchers and central production kitchens
- Gear driven slicer designed to effortlessly handle heavy loads like bacon and large pieces of meat that might cause slipping and / or blade stoppage on a belt driven machine
- Ideal slicer for heavy cured meats including bacon, Parma ham, Serrano ham, Bresaola and Salami
- Hollow ground chromed carbon steel blade
- Easy set thickness control allows for precision slicing
- Carriage slides on ball bearings for smooth carriage glide
- Made from high polished, anodised food grade aluminium for durability and hygiene
- Large base to ensure slicer has a large capacity to cope with large products
- Ergonomic design with smooth rounded edges to allow for fast and easy cleaning and improved levels of hygiene
- Fully interlocked and safe guarded for full compliance of CE legislation. This ensures all-round blade protection for ultimate user safety during cleaning
- Built-in, self-aligning sharpening and de-burring unit
- Table / carriage, blade cover, blade and sharpening unit are detachable for easy cleaning
- Transparent slicing guard to ensure ultimate user safety whilst slicing
- Optional voltages and frequencies available on request
- CE Approved

**Standard Accessories**

- 1 x Stainless Steel Knife Remover
- 1 x Flat Head Screwdriver
- 1 x Tasteless Oil

**Warranty**

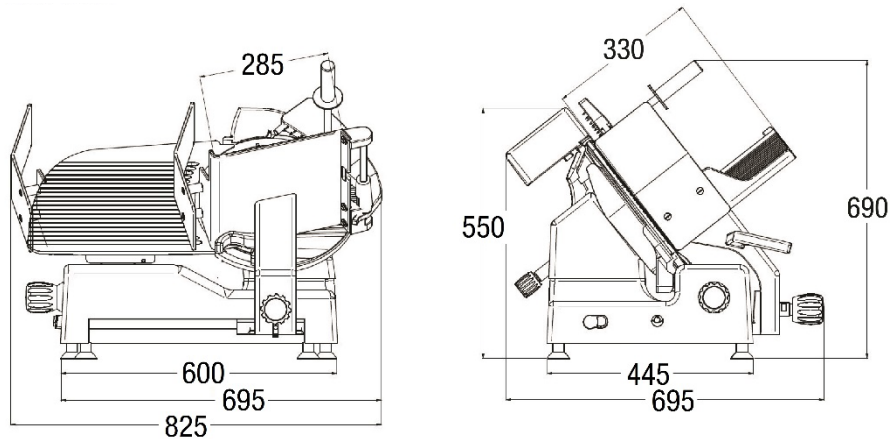
Covered by Metcalfe 2-year warranty (1<sup>st</sup> year parts and labour, 2<sup>nd</sup> year parts only) and full after sales service

**Optional Accessories**

Item
Stainless Steel Guard
Aluminium Knobs
Product Hold Bar for Gravity Plate
Plastic Cover – Medium

Item
Serrated Blade
Painting Customisation
Teflon Coated Parts (Blade Cover, Gauge Plate, Blade)

## Drawing



## Specifications

Model	Blade (mm) / (Inch)	Phase (Ø)	Motor (Volt)	Frequency (Hz)	Current (Amp)	Power (kW)
NS370XHD	370 / 15	1	220	50	1.68	0.37

## Capacity

Model	Cutting Capacity (mm)	Carriage Movement (mm)	Max Slice Thickness (mm)
NS370XHD	● 270 □ 220 x 300	365	22

## Dimensions | Shipping Information

Model	Overall Dimensions D x W x H (mm)	Net Weight (kg)	Packed Dimensions D x W x H (mm)	Packed Weight (kg)	Volume (m3)
NS370XHD	695 x 825 x 690	44	720 x 840 x 760	51	0.46

We reserve the right to alter the specification and technical details for this item at any time without prior notice.

2/2021

**Metcalfe Catering Equipment Ltd**

Haygarth Park  
Blaenau Ffestiniog  
Gwynedd, LL41 3PF

