



Model

SM5 & SM7

Product Description

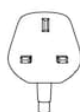
SM5 (Mixer, 5 litre, light duty)

SM7 (Mixer, 7 litre, light duty)

Product Code

5M237 (SM5)

5M238 (SM7)



Standard Features

- Professional gear driven planetary mixer with a powerful, variable speed DC motor
- Comes complete with beater, whisk, dough hook and 5ltr /7ltr stainless steel removable bowl
- Ideally suited to smaller shops, delis, cafes, restaurants and small school kitchens
- Fully interlocked for safety whilst in use
- Ideal for preparation of light dough, pastry, cream, mayonnaise, sauces, crème patisserie, egg and mashed potato
- Head lifts for easy bowl and tool removal
- Constant mixing with step-less speed control
- Overload protection (NVR device)
- Plastic safety guard with ingredient chute

Standard Accessories / Attachments

- 1 x Whisk
- 1 x Beater
- 1 x Dough Hook
- 1 x 5 litre bowl (with SM5 only)
- 1 x 7 litre bowl (with SM7 only)

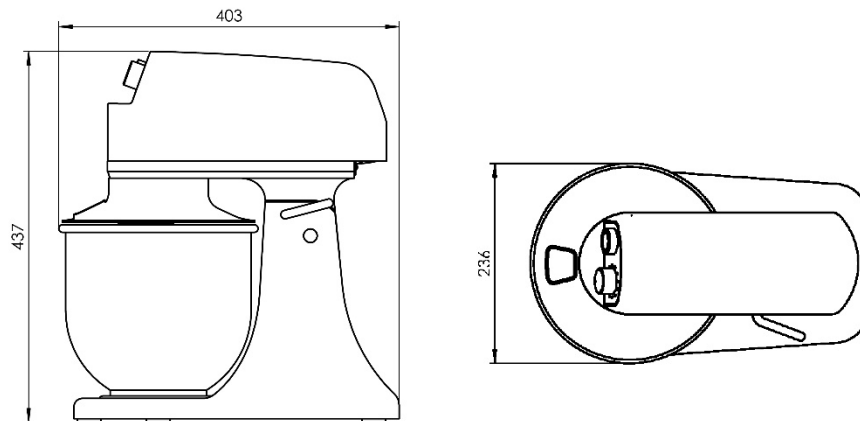
Warranty

Covered by Metcalfe 1-year warranty (parts and labour) and full after sales service

Optional Accessories / Attachments

Item	Product Code
SM5 Bowl	SM5/50401040F
SM7 Bowl	SM7/50401038F
Beater	SM57/40201200F
Whisk	SM57/40202400F
Dough Hook	SM57/40201300F

Drawing



507mm - Max height when head is fully open

Specifications

Model	Capacity (ltr)	Speed of Shaft (rpm)	Motor (Volt)	Frequency (Hz)	AMP (A)	Power (watt)
SM5	5	100 – 938	230	50	2.1	350
SM7	7	100 - 938	230	50	2.1	350

Capacity

Model	Sponge Mix (Kgs)	Liquid / Flour Mix (Kgs)	Eggs	Croissant (Kgs)	Brioche (Kgs)	Pizza (Kgs)	Mash (Kgs)
SM5	0.9	1.0	12	1	1	0.5	1.3
SM7	1.1	1.3	14	1.3	1.3	0.7	1.5

Dimensions | Shipping Information

Model	Overall Dimensions D x W x H (mm)	Net Weight (Kg)	Packed Dimensions D x W x H (mm)	Packed Weight (Kg)	Volume (m3)
SM5	403 x 236 x 437	16	465 x 320 x 500	19	0.074
SM7	403 x 236 x 437	16	465 x 320 x 500	19	0.074

We reserve the right to alter the specification and technical details for this item at any time without prior notice.

2/2023

Metcalfe Catering Equipment Ltd

Haygarth Park

Blaenau Ffestiniog

Gwynedd, LL41 3PF

