

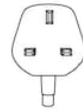


Model

MSS300G & MSS330G

Product Description

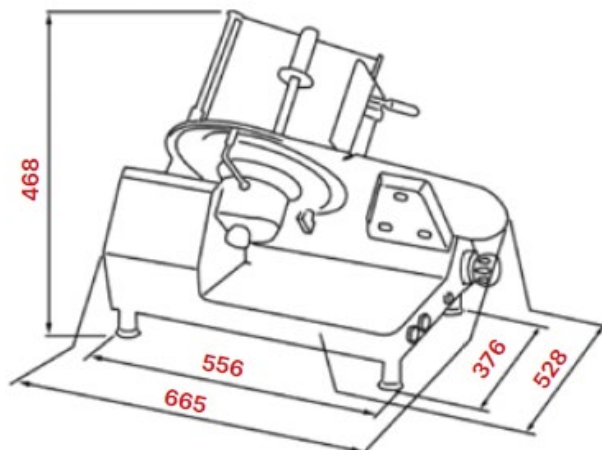
Slicer, 300/330mm, Extra Heavy Duty, Stainless Steel



Standard Features

- High-quality, stainless-steel gravity feed slicer
- Corrosion resistant, made entirely of AISI 304 stainless steel
- 100% waterproof with an IP67 protection rating
- Reliable operation and easy to clean thanks to an ergonomic design with a removable carriage
- Very rigid structure
- Slice thickness adjustable with great precision from 0-25mm
- High performance gear transmission
- Easy to use independent sharpener: a simple turn of the graduated knob allows perfect sharpening; an operation that can be performed easily and quickly by any operator
- The carriage slides smoothly, thanks to the well-structured gliding system
- The strength and quality of the components, together with their careful assembly, guarantee this machine to produce a perfect and very fine cut
- The plate assembly and blade guard are dishwasher-safe
- Equipped with a single-phase motor of 0.5HP
- Available with either 300mm or 330mm blade
- UL, NSF & CSA certification
- CE Approved

Drawing



Specifications

Model	MSS300G	MSS330G
Blade Size (mm)	300	330
Duty	Extra Heavy Duty	Extra Heavy Duty
Feed Type	Gravity	Gravity
Suitable for Cured Meats	No	No
Cutting Capacity (mm)	<ul style="list-style-type: none"> ● 210 □ 250 x 160 	<ul style="list-style-type: none"> ● 210 □ 250 x 160
Max Slice Thickness (mm)	0 - 25	0 - 25
Phase (Ø)	Single	Single
Voltage (V)	230	230
Frequency (Hz)	50	50
Power (kW / hp)	0.36 / 0.5	0.36 / 0.5
Power Connection	13 Amp plug	13 Amp plug
Items Included	Knife Remover Screwdriver Tasteless Oil	Knife Remover Screwdriver Tasteless Oil
Max Overall Dimensions D x W x H (mm)	528 x 665 x 468	528 x 665 x 468
Net Weight (Kg)	35	35
Packed Dimensions D x W x H (mm)	790 x 850 x 720	790 x 850 x 720
Packed Weight (Kg)	45	45
Volume (m3)	0.48	0.48
Warranty	Metcalfe 2-year warranty (1 st year parts and labour, 2 nd year parts only) and full after sales service	Metcalfe 2-year warranty (1 st year parts and labour, 2 nd year parts only) and full after sales service

We reserve the right to alter the specification and technical details for this item at any time without prior notice.

4/2026

Metcalfe Catering Equipment Ltd

Haygarth Park
Blaenau Ffestiniog
Gwynedd, LL41 3PF

