

# CONVEYOR TOASTERS





## A TOASTING SOLUTION FOR EVERY KITCHEN



### SYCLOID TOASTER

Stylish, high-speed toasting designed for front-of-house service - with energy-saving technology



### SYCLOID X TOASTER

Compact, energy efficient and perfect front and back of house applications




### ECLIPSE TOASTER

Designed for fast, efficient service - perfect for buns, bread and small snack items with pass through

# TOASTER GUIDE



	<b>SYCLOID</b>	<b>SYCLOID X</b>	<b>ECLIPSE</b>
USUAL APPLICATION	FRONT-OF-HOUSE	FRONT & BACK-OF-HOUSE	BACK-OF-HOUSE
TOAST THICKNESS	UP TO 30MM	UP TO 30MM	UP TO 30MM
ENERGY SAVING FUNCTION	AUTO ENERGY SAVING MODE	ENERGY EFFICIENT	VARIABLE CONTROL ON TOP & BOTTOM ELEMENT
COOL TO TOUCH	YES	YES	-
SPEED CONTROL LOCK	YES	YES	-
ELEMENT CONTROL	TOP & BOTTOM TOGETHER	TOP & BOTTOM TOGETHER	INDEPENDENT TOP & BOTTOM CONTROL
CHUTE CONFIGURATION	RETURN CHUTE	RETURN CHUTE	RETURN CHUTE OR PASS THROUGH
POWER	2300 OR 2990 WATTS	2100 WATTS	2300 OR 3260 WATTS
PLUG/CURRENT	10 AMP PLUG/10 AMPS OR 15 AMP PLUG/13 AMPS	10 AMP PLUG/9 AMPS	10 AMP PLUG/10 AMPS OR 15 AMP PLUG/14.2 AMPS
SLICES PER HR	UP TO 500*	UP TO 450**	UP TO 500*
PRODUCT WEIGHT	25KG	19KG	22KG
COLOUR OPTIONS	 RED  BLACK  STAINLESS STEEL	 BLACK	 STAINLESS STEEL

\* Throughput figures based on standard white bread on 15 amp machines

\*\* Throughput figures based on standard white bread





## SYCLOID X TOASTER

*Compact, energy-smart, high-volume toast - perfect for front or back of house.*

The Sycloid X delivers golden toast every time - from white and wholemeal through to multigrain, raisin and **even sourdough!**



# SYCLOID X TOASTER

## FEATURES

- "Smart Heat" toasting chamber, 30-40% improvement in energy efficiency\*
- Up to 450 slices per hour\*\*
- Cool-to-touch body for safe handling
- Black satin finish for contemporary appearance
- Easy access toasting chamber
- Speed lock setting
- Brushless DC motor drive
- Quiet running operation
- Compact footprint – perfect for front or back-of-house
- Portable design – easy to move and set up
- Easy clean – fewer parts, no crumb tray hassle
- Easy access return chute
- Perfectly toasts bread up to 30mm thick
- 1-year parts & labour warranty.



\* Performance validated against a range of 10/15 amp alternatives

\*\* Throughput figures based on standard white bread



Hinged lid for easy access



Speed lock setting



No removable parts allows for easy cleaning

## SPECS

MODEL	COLOUR	SLICES/HR (MIN)	POWER WATTS	CURRENT AMPS	DIMENSIONS W x D x H (MM)	PRODUCT WEIGHT
ST450X	Stainless Steel/Black	450*	2100	9	408 x 543 x 428	19kg





## SYCLOID TOASTER

*High-speed, heavy-volume toast in a stylish, cool-to-touch design - perfect for front-of-house applications.*

The Sycloid is a sleek, elegant toaster built for speed and consistency. Fast, reliable and energy-smart, it delivers perfect toast slice after slice - while staying safe for staff and guests.

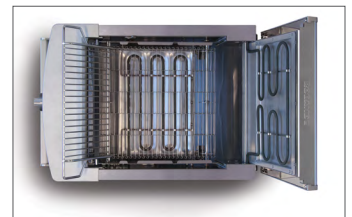


# SYCLOID TOASTER FEATURES

- Toast over 500 slices/Hour
- Energy-saving auto mode for quieter periods
- Lockable speed control for consistent results
- Perfectly toasts bread up to 30mm thick
- Safe external touch temperatures
- LED-lit holding bay for bright product presentation
- Easy-clean hinged cover & slide-out crumb tray
- Choose from natural, red or black finishes



Removable crumb tray for ease of cleaning



Hinged top cover for easy access to clean inside



LED lights illuminate the toast holding bay



Lid-lock release lever to lift lid

## SPECS

MODEL	COLOUR	SLICES/HR (MIN)	POWER WATTS	CURRENT AMPS	DIMENSIONS W x D x H (MM)	PRODUCT WEIGHT
ST350A	Stainless Steel	350	2300	10.0	415 x 600 x 425	25kg
ST350AR	Red	350	2300	10.0	415 x 600 x 425	25kg
ST350AB	Black	350	2300	10.0	415 x 600 x 425	25kg
ST500A	Stainless Steel	500	2990	13.0	415 x 600 x 425	25kg
ST500AR	Red	500	2990	13.0	415 x 600 x 425	25kg
ST500AB	Black	500	2990	13.0	415 x 600 x 425	25kg



## ECLIPSE TOASTER

*Compact, high-volume toast - perfect for back of house settings.*

Providing ultimate toasting control for back-of-house kitchen staff, the Eclipse is designed for high speed **bun toasting** and toasting of small bread based snack items.



# ECLIPSE TOASTER FEATURES

- 30 mm entry clearance
- Independent top and bottom heat control
- Precise solid-state temperature control for consistent results
- Variable conveyor speed
- Front return or pass-through operation
- Dual entry chutes (48° wire or 25° stainless steel)
- Adjustable rear chute angles (10°, 17.5°, 25°)
- Dura-life stainless steel elements
- Removable crumb trays for easy cleaning
- Toasting diameter/size up to 130 mm (return) or 310 mm (pass-through)



ET315 showing front chute and rear chute at adjustable angles. ET310 looks identical.

ET315 showing rear pass through chute. ET310 looks identical.

## SPECS

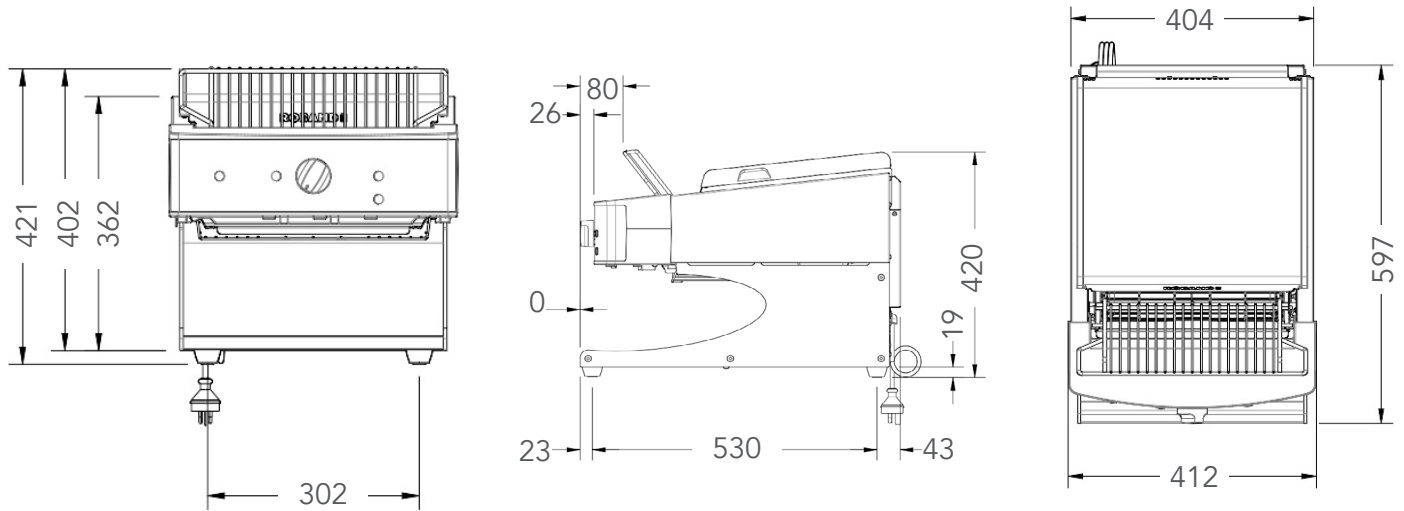
MODEL	COLOUR	BREAD SLICES/HR (UP TO)	BUN HALVES/HR (UP TO)	POWER WATTS	CURRENT AMPS	DIMENSIONS W x D x H (MM)	PRODUCT WEIGHT
ET310	Stainless Steel	300*	270*	2300	10.0	480 x 485 <sup>^</sup> x 400 <sup>^</sup>	22kg
ET315	Stainless Steel	500*	370*	3220	14.0	480 x 485 <sup>^</sup> x 400 <sup>^</sup>	22kg

\*Variations may occur depending on voltage supply and bread product.  
<sup>^</sup>Depth and height does not include protruding racks/chutes.

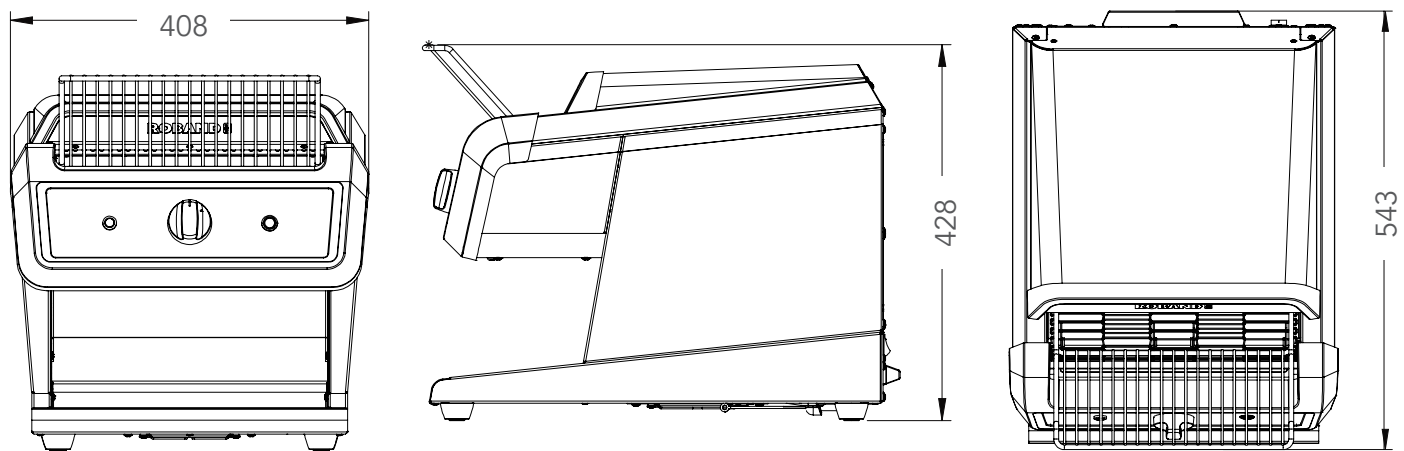
# DIMENSIONS

All measurements are in millimetres

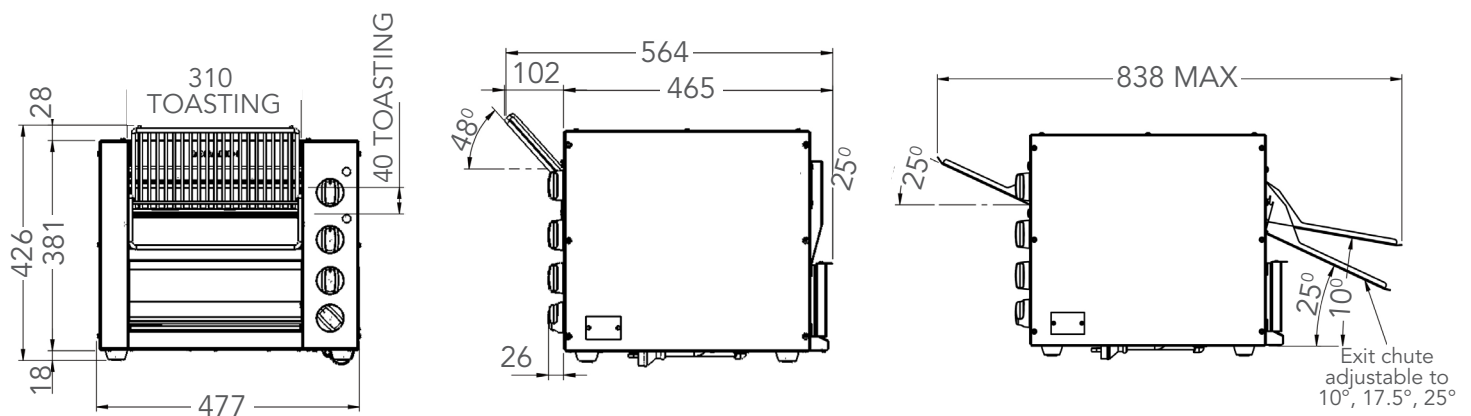
## SYCLOID TOASTER



## SYCLOID X TOASTER



## ECLIPSE TOASTER







## NEED MORE INFO?

Scan below for detailed specification sheets



SCAN ME

**SYCLOID  
TOASTER**



SCAN ME

**SYCLOID X  
TOASTER**



SCAN ME

**ECLIPSE  
TOASTER**

Distributor:



All dimensions are nominal only. All information contained in this brochure should serve as a guide only and is subject to change without notice due to constant research and development.

© 2026 Roband Australia Pty. Ltd. ACN 003 049 063 ABN 34 864 327 105

® is a registered trademark of Roband Australia Pty. Ltd.

[www.roband.com.au](http://www.roband.com.au) [robandaustralia](https://www.instagram.com/robandaustralia)



**ROBAND**

**Roband Australia Pty Ltd**

1 Inman Road, Cromer,

NSW 2099 Australia

Tel: +61 2 9971 1788

Email: [sales@roband.com.au](mailto:sales@roband.com.au)

04/26